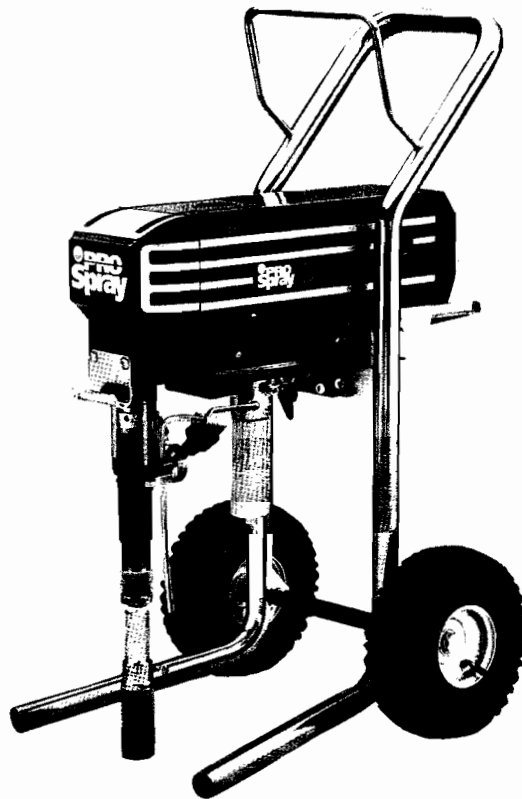




PRO Spray[®]



OPERATION MANUAL AND PARTS LIST FOR MODEL ProSpray 1000 AIRLESS PAINT SPRAYER

WARNING: Before operating, doing any service or maintenance procedure, learn & follow the pressure relief procedure on page 6. Read & understand all warnings on pages 4, 5, 6 and 7

**ALL SERVICE PROCEDURES MUST BE PERFORMED
BY AUTHORIZED SERVICE CENTER.**

TABLE OF CONTENTS

Introduction	1
Flushing Guidelines	1
How to Flush	2
Setting Up	3
Setting Up & Starting	3,4
ProSpray Pressure System	4
Warnings	4,5,6,7
PRESSURE RELIEF PROCEDURE	6
Spray Technique	8,9
Airless Spray Gun Operation	10
Spray Tip Selection	11
Regular Maintenance	12
Troubleshooting	12
Troubleshooting- Machine does not start	13
Servicing Fluid Pump	14
Servicing Upper & Lower Check Valves	15
V-Packing Replacement	16
Fluid Pump Parts List	17
Prime Valve & Manifold Assembly	18
Ball Valve Parts List	18
Electrical Board Calibration	19
Replacement of LCD	20
Electrical Control Box	21
Electrical System	22
Oil & Lubrication Instructions	23
Replacement of Belt/Belt Adjustment	23
Complete Sprayer Parts List	24,25
Maxi-Filter Assembly	26
Electric Motor Maintenance	27

INTRODUCTION

ICI ProSpray 1000

The ProSpray Series of airless paint sprayers are a culmination of years of development work. Incorporated into the design is the proven slow stroking paint pump, a new low speed gear system that's extremely quiet and a DC Motor that stays cool even when you run long extension cords. The ProSpray1000 is a severe duty pump, designed to meet the needs of todays professional painting contractor.

Specifications

Pressure	3000 PSI
Output	1 GPM
Tip Size	1 GUN UP TO 0.031 2 GUNS UP TO 0.019

WARNING

Prior to starting, read, understand and observe all safety precautions & warnings on page 4, 5, 6 & 7 and all labels and tags on the machine.

FLUSHING - Read prior to using your sprayer

1. New Sprayer

Your new ProSpray unit was factory tested in an Anti-freeze solution, which was left in the pump. **Before using oil-base paint**, flush with mineral spirits only.

Before using water-base paint, flush with mineral spirits, followed by soapy water, then a clean water flush.

2. Changing Colors

Flush with a compatible solvent such as mineral spirits or water.

3. Changing From Water-base to Oil-base

Flush with soapy water, then mineral spirits.

4. Changing From Oil-base to Water-base

Flush with mineral spirits, followed by soapy water, then a clean water flush.

5. Storage

Oil-base Paint: Flush with mineral spirits.

Water-base Paint: Flush with water, then mineral spirits and leave the pump, hose and gun filled with mineral spirits. For longer storage, use mixture of mineral spirits and motor oil (half & half). Shut off the sprayer, follow Pressure Relief Procedure on page 6 to relieve pressure and make sure prime/pressure relief valve is left open.

6. Start Up After Storage

Before using **water-base paint**, flush with soapy water and then a clean water flush.

When using **oil-base paint**, flush out the mineral spirits with the material to be sprayed.

HOW TO FLUSH

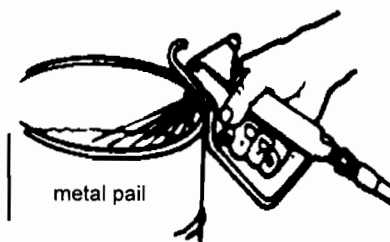
FIG. 1

REMOVE
SPRAY
TIP



ENGAGE GUN
SAFETY LATCH
(LOCK GUN) as
per gun instruc-
tion manual.

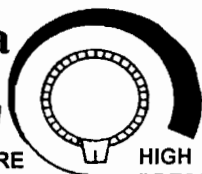
FIG. 3



metal pail

FIG. 2a

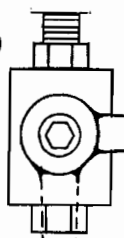
LOW
PRESSURE



HIGH
PRESSURE

Pressure Control Knob- used to adjust
pressure only. Turn clockwise to increase
pressure & counterclockwise to decrease
pressure.

FIG. 2b



OPEN
(Priming & to relieve
pressure.)

CLOSED
(Pressure)

Prime/Pressure Relief Valve (Prime/PR Valve)

Used to relieve pressure from gun, hose & tip and to prime
the unit when in OPEN position. When in CLOSED
position, the system is pressurized! Handle as a loaded
firearm!

1. Be sure the gun safety latch is engaged and there is no spray tip in the gun. Refer to your separate instruction manual provided with your gun on its safety features and how to engage safety latch. Refer to Fig. 1

2. Pour enough clean, compatible solvent into a large, empty metal pail to fill the pump and hoses.

3. Place the suction tube into the pail or place the pail under the pump.

4. Turn the pressure control knob to low pressure. Refer to Fig. 2a.

5. Open the prime valve to the open- priming position. This will allow an easy start. Refer to Fig. 2b.

6. Turn the motor ON/OFF switch to ON.

7. Point the gun into the metal pail and hold a metal part of the gun firmly against the pail. Refer to Fig. 3.

WARNING: To reduce the risk of static sparking, which can cause fire or explosion, always hold a metal part of the gun firmly against the metal pail when flushing. This also reduces splashing. Refer to Fig. 3.

8. Disengage the gun safety latch and squeeze the gun trigger. At the same time, slowly turn the pressure control knob clockwise, just enough to start the pump. Refer to Fig. 2a.

9. Allow the pump to operate until clean solvent comes from the gun.

10. Release the trigger and engage the gun safety latch.

11. If you are going to start spraying, place the suction tube into the supply container. Release the gun safety latch and trigger the gun into another empty, metal container, holding a metal part of the gun firmly against the metal pail, and force the solvent from the pump and hose. Engage the gun safety latch until you are ready to prime the pump.

12. If you are going to store the sprayer, remove the suction tube from the solvent pail, holding a metal part of the gun firmly against the metal pail, force the solvent from the pump and hose, Engage the gun safety latch. Refer to "Storage" procedure on page 1.

13. Whenever you shut off the sprayer follow the Pressure Relief Procedure Warning on Page 6.

SETTING UP

1. Connect the Hose and Gun

- Remove the plastic cap plug from the outlet connector and screw a conductive or grounded 3000 psi spray hose onto fluid outlet.
- Connect an airless spray gun to the other end of the hose.

- ## 2. Fill the Packing Nut/Wet Cup 1/3 full with Throat Seal Oil (TSO) supplied. (Fig. 4)

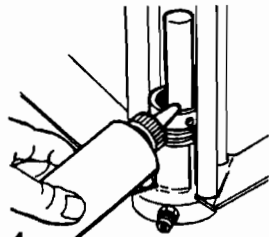


FIG. 4

3. Check the Electrical Service

Be sure the electrical service is 120 V, 60 HZ AC 15 amp minimum and that the outlet you use is properly grounded.

4. Grounding

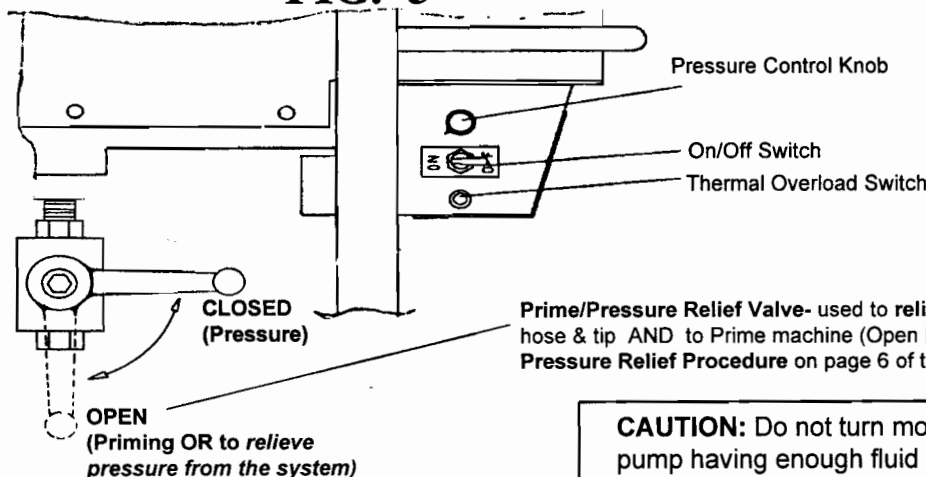
WARNING: To reduce the risk of static sparking, fire or explosion which can result in serious bodily injury and property damage, always ground the sprayer and system components and the object being sprayed as instructed on page 6.

- ## 5. Flush the sprayer
- as per "Flushing" - New Sprayer on page 1 and "How to Flush" on page 2.

SETTING UP AND STARTING - Read Safety Warnings on page 4, 5, 6 and 7 before starting.

1. Learn the Controls

FIG. 5



Prime/Pressure Relief Valve- used to relieve pressure from gun, hose & tip AND to Prime machine (Open Position). Learn and follow Pressure Relief Procedure on page 6 of this manual.

- ## 2. Prepare the Material
- according to the material manufacturer's recommendations.

- ## 3. Place the suction tube
- into the material container.

4. Starting the Sprayer

 (See Fig. 5 above)

- Prime Valve must be open - priming position.
- Pressure control knob must be in Low Pressure position.
- Turn the motor ON/OFF switch to ON.

CAUTION: Do not turn motor on without fluid pump having enough fluid so that it can be primed. Running fluid pump dry will decrease life of pumps packings.

5. Prime the pump.

- Be sure gun safety latch is engaged.
- After the pump is primed, close the prime valve by turning it all the way to "closed" position.
- Turn the pressure control knob to desired spray pressure.
- Disengage the gun safety lock and you are ready to start spraying.

WARNING: To stop the unit in an emergency, turn motor off. Then relieve the fluid pressure in the pump and hose as instructed in the Pressure Relief Procedure on Page 6.

WARNING: If you spray into the paint bucket, always use lowest spray pressure and maintain firm metal to metal contact between gun and container. See Fig.3. page 2.

SETTING UP AND STARTING

6. Adjusting the Pressure

- Turn the pressure control knob clockwise to increase and counterclockwise to decrease pressure.
- Always use the lowest pressure necessary to completely atomize the material.

CAUTION: Operating the sprayer at higher pressure than needed wastes material, causes early tip wear and shortens sprayer life.

- If more coverage is needed use a larger tip rather than increasing the pressure.
- Check the spray pattern. The tip size and angle determines the pattern width and flow rate.

7. Cleaning a Clogged Tip

WARNING: To reduce the risk of injection, never hold your hand, body, fingers or hand in a rag, in front of the spray tip when cleaning or checking for cleared tip. Always point the gun toward the ground or into a waste container when checking to see if the tip is cleared or when using a self-cleaning tip.

- Follow the Pressure Relief Procedure on page 6.
- Clean the front of the tip frequently (with toothbrush only) during the day to keep material from building up and clogging the tip.
- To clean and clear a tip if it clogs, refer to the separate instruction manual received with your gun or nozzle.

There is an easy way to keep the outside of the tip clean from material build-up:

Everytime you stop spraying for even a minute, lock the gun and submerge the gun into a small bucket of thinner compatible with the material sprayed. Thinner will dissolve the build up of paint on the outside of tip, tip guard and gun much more effectively if the paint did not have time to dry out completely.

WARNING: Clogged standard (flat) tip - clean only after the tip is removed from the gun. Follow the Pressure Relief Procedure on Page 6.

8. When shutting off the sprayer

- Whenever you stop spraying, even for a short break, follow the Pressure Relief Procedure Warning on page 6.
- Clean the tip and gun as recommended by your separate gun instruction manual.
- Flush the sprayer at the end of each work day if the material you are spraying is waterbased, or if it could harden in the sprayer overnight. See "Flushing" page 1 & 2. Use a compatible solvent to flush, then fill the pump and hoses with an oil-based solvent such as mineral spirits.

WARNING: Be sure to relieve pressure in the pump after filling with mineral spirits.

- For long term shutdown or storage, refer to page 1.

ProSpray PRESSURE SYSTEM

Your ICI paint products have been tested with this ProSpray Unit. The recommended spraying pressure and tip size for each product has been determined, and is available from your local ICI paint store. Use the Liquid Crystal Display (LCD) to match the pump's pressure to the recommended pressure.

WARNINGS

DO NOT USE halogenated solvents in this system. The prime valve, 2 gun manifold and most airless guns have aluminum parts and may explode. Cleaning agents, coatings, paints or adhesives may contain halogenated hydrocarbon solvents. DON'T TAKE CHANCES! Consult your material suppliers to be sure. Some of the most common of these solvents are: Carbontetrachloride, Chlorobenzene, Dichloroethane, Dichloroethyl Ether, Ethylbromide, Ethylchloride, Tetrachloroethane. Alternate valves and guns are available if you need to use these solvents.

Important: United States Government safety standards have been adopted under the Occupational Safety & Health Act. These standards, particularly the General Standards, Part 1910 & and Construction Standards, Part 1926 should be consulted.

WARNINGS CONTINUED ON NEXT PAGE.....

WARNINGS

This sprayer is for professional use only.

HIGH PRESSURE SPRAY CAN CAUSE EXTREMELY SERIOUS INJURY. Handle as you would a loaded firearm. Follow PRESSURE RELIEF PROCEDURE ON PAGE 6. Observe all warnings.

MEDICAL ALERT - Airless Spray Wounds

If any fluid appears to penetrate your skin, get **EMERGENCY MEDICAL CARE AT ONCE. DO NOT TREAT AS A SIMPLE CUT.**
Tell the doctor exactly what fluid was injected.

NOTE TO PHYSICIAN: Injection in the skin is a traumatic injury. **It is important to treat the injury surgically as soon as possible. DO NOT DELAY treatment to research toxicity.** Toxicity is a concern with some exotic coatings injected directly into the blood stream. Consultation with a plastic surgeon or reconstructive hand surgeon may be advisable.

INJECTION HAZARD

Fluids under high pressure from spray or leaks can penetrate the skin and cause extremely serious injury, including the need for amputation. NEVER point the spray gun at anyone or any part of the body.

NEVER put hand or fingers over the spray tip. Do not use rag or other materials over your fingers. Paint will penetrate through material and into the hand.

NEVER try to stop or deflect leaks with your hand or body.

ALWAYS have gun tip guard in place when spraying.

ALWAYS lock gun trigger when you stop spraying.

ALWAYS remove tip from the gun to clean it.

NEVER try to "blow back" paint, this is not an air spray sprayer.

ALWAYS follow the **PRESSURE RELIEF PROCEDURE**, as shown on page 6, before cleaning or removing the spray tip or servicing any system equipment.

Be sure equipment safety devices are operating properly before each use.

Tighten all fluid connections before each use.

MEDICAL TREATMENT

If any fluid appears to penetrate your skin, get **EMERGENCY CARE AT ONCE. DO NOT TREAT AS A SIMPLE CUT.**

* Go to an emergency room immediately.

* Tell the doctor you suspect an injection injury.

* Tell him what kind of material you were spraying with and have him read NOTE TO PHYSICIAN above.

GENERAL PRECAUTIONS

NEVER alter equipment in any manner.

NEVER smoke while in spraying area.

NEVER spray highly flammable materials.

NEVER use around children.

NEVER allow another person to use sprayer unless he is thoroughly instructed on its' safe use and given this operators manual to read.

ALWAYS wear a spray mask, gloves and protective eye wear while spraying.

ALWAYS ensure fire extinguishing equipment is readily available and properly maintained.

NEVER LEAVE SPRAYER UNATTENDED WITH PRESSURE IN THE SYSTEM. FOLLOW PRESSURE RELIEF PROCEDURES ON PAGE 6.

ALWAYS INSPECT SPRAYING AREA

Keep spraying area free from obstructions.

Make sure area has good ventilation to safely remove vapors and mists.

NEVER keep flammable material in spraying area.

NEVER spray in vicinity of open flame or other sources of ignition.

Spraying area must be at least 20 ft. away from spray unit.

SPRAY GUN SAFETY

ALWAYS set safety lock on the gun in "LOCKED" position when not in use and before servicing or cleaning.

DO NOT remove or modify any part of gun.

ALWAYS REMOVE SPRAY TIP when cleaning. Flush unit with **LOWEST POSSIBLE PRESSURE.**

CHECK operation of all gun safety devices before each use.

Be very careful when removing the spray tip or hose from gun. A plugged line contains fluid under pressure. If the tip or line is plugged, follow the **PRESSURE RELIEF PROCEDURE** as outlined on page 6.

TIP GUARD

ALWAYS have the tip guard in place on the spray gun while spraying. The tip guard alerts you to the injection hazard and helps prevent accidentally placing your fingers or any part of your body close to the spray tip.

SPRAY TIP SAFETY

Use extreme caution when cleaning or changing spray tips. If the spray tip clogs while spraying, engage the gun safety latch immediately. ALWAYS follow the **PRESSURE RELIEF PROCEDURE** and then remove the spray tip to clean it.

NEVER wipe off build up around the spray tip.

ALWAYS remove tip & tip guard to clean AFTER pump is turned off and the pressure is relieved by following the **PRESSURE RELIEF PROCEDURE.**

TOXIC FLUID HAZARD

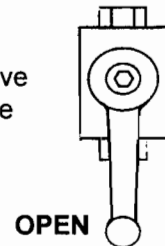
Hazardous fluid or toxic fumes can cause serious injury or death if splashed in eyes or on skin, inhaled or swallowed. Know the hazards of the fluid you are using. Store & dispose of hazardous fluids according to manufacturer, local, state & national guidelines. ALWAYS wear protective eyewear, gloves, clothing and respirator as recommended by fluid manufacturer.

WARNINGS

PRESSURE RELIEF PROCEDURE

To avoid possible serious bodily injury, including injection, always follow this procedure whenever the sprayer is shut off, when checking or servicing it, when installing, changing or cleaning tips and whenever you stop spraying or when you are instructed to relieve the pressure.

1. Engage gun safety latch. Refer to separate instruction manual provided with your gun on its safety features and how to engage safety latch.
2. Turn unit off and unplug from electrical outlet.
3. Disengage safety latch and trigger gun to relieve residual fluid pressure.
Hold metal part of the gun in contact with grounded metal pail
4. Re-engage gun safety latch.
5. Turn Prime/Pressure Relief Valve as shown open (Priming) to relieve residual fluid pressure.



NOTE: Leave prime valve OPEN until you are ready to spray again & when machine is stored.

IF THE SPRAY TIP OR HOSE IS CLOGGED, follow Step 1 through 5 above. Expect paint splashing into the bucket while relieving pressure during Step 5. If you suspect that pressure hasn't been relieved due to damaged prime/pressure relief valve or other reason, VERY SLOWLY loosen the tip guard retaining nut or hose end couplings to relieve pressure gradually, then loosen completely. Now clear the tip, gun or hose obstruction.

HOSES

Tighten all fluid connections securely before each use. High pressure fluid can dislodge a loose coupling or allow high pressure spray to be emitted from the coupling and result in an injection injury or serious bodily injury.

Use only hose having a spring guard. The spring guard helps protect the hose from kinks or other damage which could result in hose rupture and cause an injection injury.

NEVER use a damaged hose, which can result in hose failure or rupture and cause an injection injury or other serious bodily injury or property damage. Before each use, check entire hose for cuts, leaks abrasion or bulging of cover, or damage or movement of couplings. If any of these conditions exist, replace the hose immediately. Never use tape or any device to try to mend the hose as it cannot contain the high pressure fluid. NEVER ATTEMPT TO RECOUPLE THE HOSE. High pressure hose is not recoupleable.

Help prevent damage to the hose by handling and routing carefully. Do not move the sprayer by pulling it with the hose.

GROUNDING

Ground the sprayer & other components in the system to reduce the risk of static sparking, fire or explosion which can result in serious bodily injury and property damage. For detailed instructions on how to ground, check your local electrical code.

ALWAYS ensure switch is in OFF position before plugging unit in.

Always ground all of these components.

1. Sprayer: plug the power supply cord, or extension cord, each equipped with an undamaged three-prong plug, into a properly grounded outlet. DO NOT USE AN ADAPTER.

Use only a 3 wire extension cord that has a 3 blade grounding plug, and a 3 slot receptacle that will accept the plug on the product. Make sure your extension cord is in good condition. When using an extension cord, be sure to use one heavy enough to carry the current your product will draw. (Note: The table on the top of the next page shows the correct size to use depending on cord length and name plate ampere rating. If in doubt, use the next heavier gauge. The smaller the gauge number, the heavier the cord.

2. Air Hoses; use only grounded hoses.

3. Fluid hose: use only grounded hoses.

4. Spray gun or dispensing valve; grounding is obtained through connection to a properly grounded fluid hose and pump.

5. Object being sprayed; according to your local code.

6. All solvent pails used when flushing.

Once each week, check electrical resistance of hose (when using multiple hose assemblies, check overall resistance.) Overall (end to end) resistance of unpressurized hose must not exceed 29 megohms (max.) for any coupled length or combination of hose lengths. If hose exceeds these limits, replace it immediately.

Never exceed 500 ft. (150 m) overall combined hose length to assure electrical continuity.

WARNINGS

UL RECOMMENDATION FOR MINIMUM GAUGE EXTENSION CORD										
AMPERAGE RATING RANGE	VOLTAGE	LENGTH OF CORD IN FEET								
		25	50	100	150	200	250	300	400	500
5 - 6	120	18	16	12	12	10	10	8	8	6
6 - 8	120	18	16	12	10	10	8	6	6	6
8 - 10	120	18	14	12	10	8	8	6	6	4
10 - 12	120	16	14	10	8	8	6	6	4	4

Always follow recommended pressure and operating instructions.

KEEP CLEAR OF MOVING PARTS

Keep clear of moving parts when starting or operating the sprayer. Do not put your fingers into any openings to avoid amputation by moving parts or burns on hot parts. Precaution is the best insurance against an accident. When starting the motor, maintain a safe distance from moving parts of the equipment.

Before adjusting or servicing any mechanical part of the sprayer, follow the PRESSURE RELIEF PROCEDURE on page 6.

AVOID COMPONENT RUPTURE

This sprayer operates at 3000 psi (205 bar). Always be sure that all components and accessories have a maximum working pressure of at least 3000 psi to avoid rupture which can result in serious bodily injury including injection and property damage.

NEVER leave a pressurized sprayer unattended to avoid accidental operation of it which could result in serious bodily injury.

ALWAYS follow the PRESSURE RELIEF PROCEDURE whenever you stop spraying and before adjusting, removing or repairing any part of the sprayer.

NEVER alter or modify any part of the equipment to avoid possible component rupture which could result in serious bodily injury and property damage.

NEVER use weak or damaged or non-conductive paint hose. Do not allow kinking or crushing of hoses or allow it to vibrate against rough or sharp or hot surfaces. Before each use, check hoses for damage and wear and ensure all fluid connections are secure.

REPLACE any damaged hose. NEVER use tape or any device to mend the hose.

NEVER attempt to stop any leakage in the line or fittings with your hand or any part of the body. Turn off the unit and release pressure by following PRESSURE RELIEF PROCEDURE,

ALWAYS use approved high pressure fittings and replacement parts.

ALWAYS ensure fire extinguishing equipment is readily available and properly maintained.

PREVENT STATIC SPARKING FIRE/EXPLOSIONS

ALWAYS be sure all equipment & objects being sprayed are properly grounded. Always ground sprayer, paint bucket and object being sprayed. See grounding on page 6 for grounding information.

Vapors created when spraying can be ignited by sparks. To reduce the risk of fire, always locate the sprayer at least 20 feet (6 m.) away from spray area. Do not plug in or unplug any electrical cords in the spray area, which can create sparks, when there is any chance of igniting vapors still in the air. Follow the coating & solvent manufacturers safety warnings and precautions.

Use only conductive fluid hoses for airless applications. Be sure gun is grounded through hose connections. Check ground continuity in hose & equipment. Overall (end to end) resistance of unpressurized hose must not exceed 29 megohms for any coupled length or combination of hose length. Use only high pressure airless hoses with static wire approved for 3000 psi.

FLUSHING

Reduce the risk of injection injury, static sparking or splashing by following the specific cleaning process.

ALWAYS follow the PRESSURE RELIEF PROCEDURE on page 6.

ALWAYS remove the spray tip before flushing. Hold a metal part of the gun firmly to the side of a metal pail and use the lowest possible fluid pressure during flushing.

NEVER use cleaning solvents with flash points below 140 degrees F. Some of these are: acetone, benzene, ether, gasoline, naphtha. Consult your supplier to be sure. NEVER SMOKE in the spraying/cleaning area.

WHEN SPRAYING & CLEANING WITH FLAMMABLE PAINTS AND THINNERS

1. When spraying with flammable liquids, the unit must be located a minimum of 25 feet away from the spraying area in a well ventilated area. Ventilation must be sufficient enough to prevent the accumulation of vapors.
2. To eliminate electrostatic discharge, ground the spray unit, paint bucket & spraying object. See GROUNDING on pg. 6. Use only high pressure airless hoses approved for 3000 psi which is conductive.
3. Remove spray tip before cleaning gun and hose. Make contact of gun with bucket and spray without the tip in a well ventilated area, into the grounded steel bucket.
4. Never use high pressure in the cleaning process. USE MINIMUM PRESSURE.
5. Do not smoke in spraying/cleaning area.

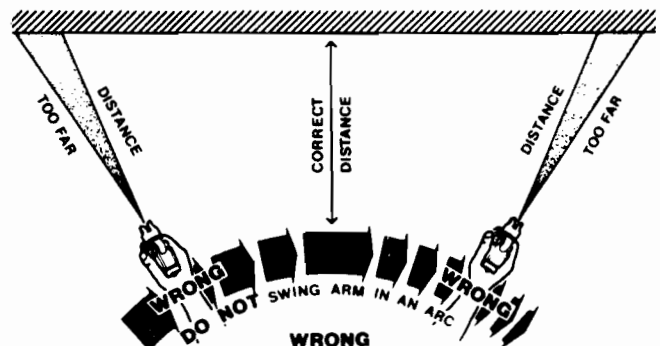
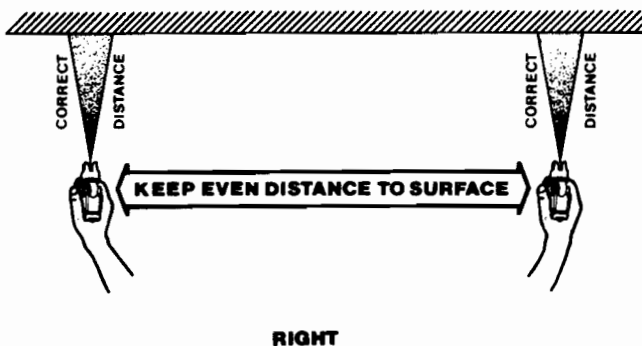
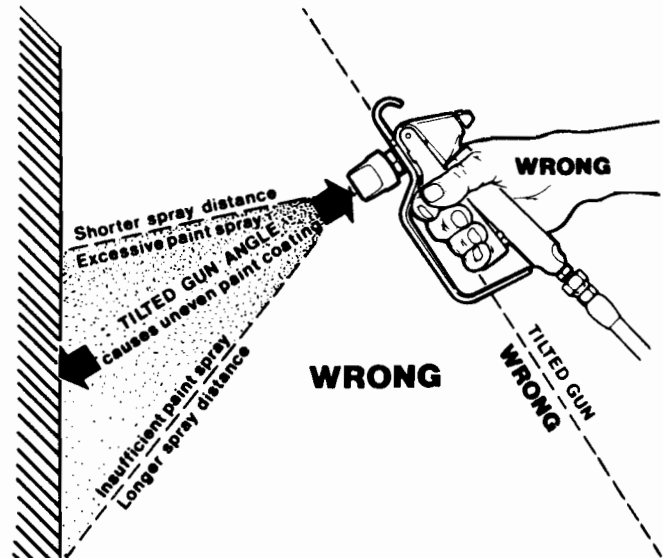
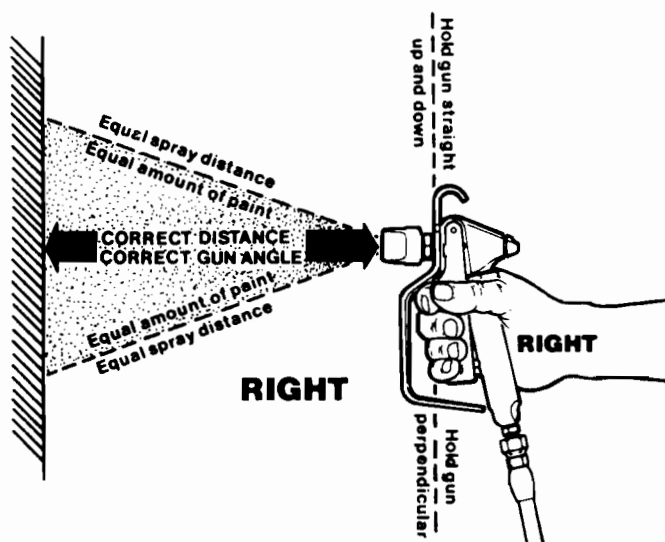
SPRAY TECHNIQUE

Good spray gun technique is at the core of any spray-paint operation. Operator skill and efficiency is as important as good equipment and good paint. Good spray technique is a skill that can be learned quickly by following these simple instructions.

If you are not familiar with spraying techniques, we recommend that you study this section of your manual and practice the proper technique on pieces of cardboard or a suitable surface.

Hold the spray gun 12-15 inches away from the work surface and keep it perpendicular (straight)

to the surface. Move the spray gun parallel to the work and at a right angle to the surface.



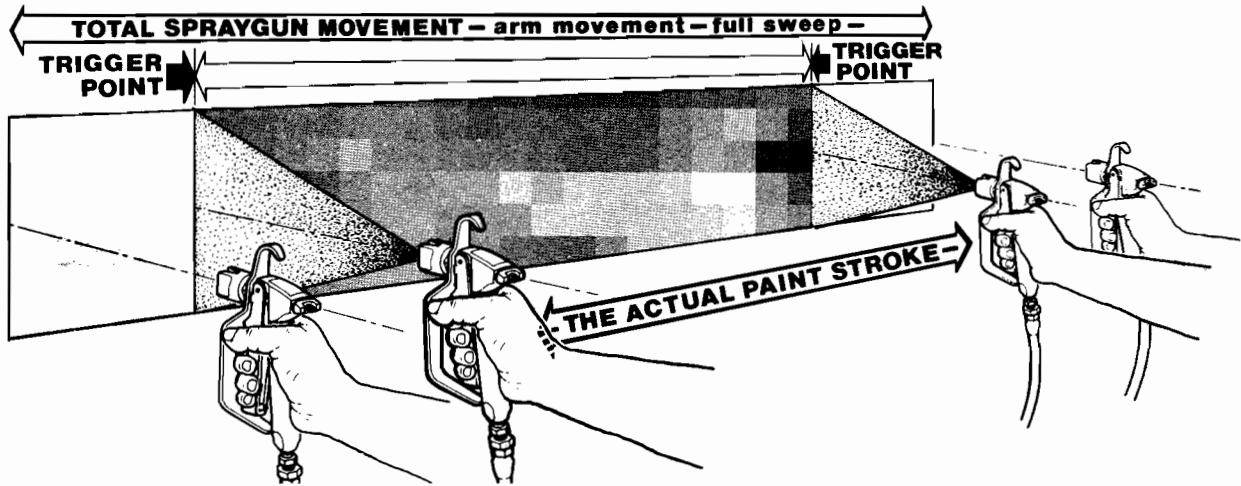
Move the gun at a steady rate in order to apply a good coverage. The wet coat should be just under the thickness at which a run or sag will occur. Slow gun movement or gun held too close will result in an overly wet or thick coat coverage that is likely to run or sag.

15-inch distance perpendicular from the work.

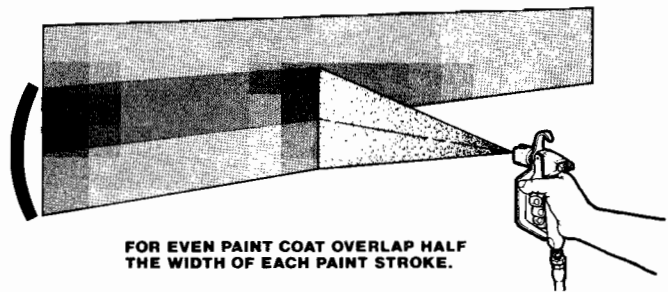
Do not wave the spray gun. This waving is called (arching.) Instead, hold the spray gun at a 12-

The closer the spray gun is held to the work, the thicker the paint is deposited and the faster the gun must be moved to prevent sags and runs. Holding the gun too far from the work will cause excessive fog, overspray, and a thin and grainy coat.

SPRAY TECHNIQUE

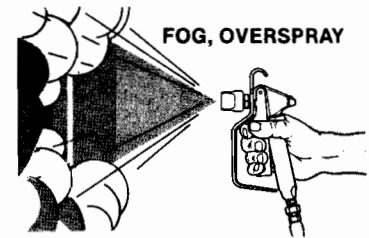
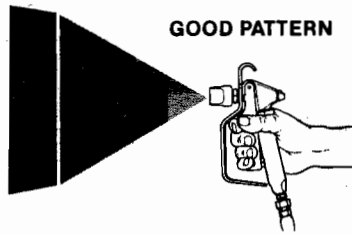
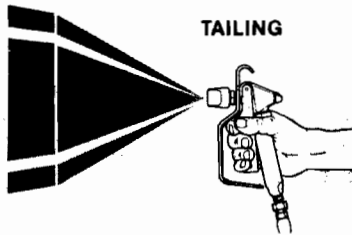


It is important to “trigger” the gun **after** gun movement (arm movement) has started and release trigger (shut gun off) **before** gun movement ends. Gun movement is always longer than actual paint (spray) stroke. In that manner, even blending and uniform paint coat thickness is achieved over the entire surface. When the gun is in motion as the trigger is pulled, it deposits an even amount of paint.



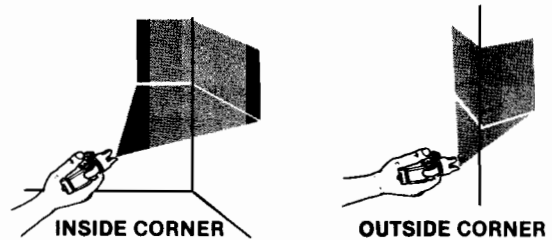
Overlap the previous pass by half the width of the spray pattern. Aim at the bottom of the previous pass.

Spray with uniform strokes from left to right and from right to left, holding stroke speed, distance, lapping, and triggering as uniform as possible.



Adjust pressure control knob so that paint is completely atomized from the spray gun. Insufficient pressure will result in “tailing.” Too

much pressure will result in excess fog and overspray, excessive tip wear, and increased sprayer wear and tear.



Always use the lowest pressure possible to obtain desirable results.

Test the spray pattern on a piece of cardboard or other surface.

“Inside” and “outside” corners can be sprayed. Aim the spray gun toward the center of the corner. The spray pattern is divided in half, and the edges of the spray pattern on both walls are the same.

AIRLESS SPRAY GUN OPERATION

DEFECTS

CAUSE

CORRECTION

Coarse spray	Low pressure	Increase the pressure
Excessive fogging (Overspray)	High pressure	Reduce the pressure to satisfactory pattern distribution
	Material too thin	Use less thinner
Pattern too wide	Spray angle too large	Use smaller spray angle tip
Pattern too narrow	Spray angle too small	Use larger spray angle tip (if coverage is okay, try tip in same nozzle group)
Too much material	Nozzle too large Material too thin Pressure too high	Use next smaller nozzle. Reduce pressure
Too little material	Nozzle too small Material too thick	Use next larger nozzle
Thin distribution in center of pattern "horns"	Worn tip Wrong tip	Change for new tip Use nozzle with a narrow spray angle
Thick skin on work	Material too viscous Application too heavy	Thin cautiously Reduce pressure and/or use tip in next larger nozzle group
Coating fails to close and smooth over	Material too viscous	Thin cautiously
Spray pattern irregular, deflected	Orifice clogged Tip damaged	Clean carefully Replace with new tip
Craters or pock marks bubbles on work	Solvent balance	Use 1 to 3% "short" solvents remainder "long" solvents (this is most likely to happen with material of low viscosity, lacquers, etc.)
Clogged screens	Extraneous material in paint Coarse pigments Poorly milled pigments (paint pigments glocculate) cover screen. Incompatible paint mixture and thinners	Clean screen Use coarse screen if orifice size allows Use coarser screen, larger orifice tips. Obtain ball milled paint. If thinner has been added, test to see if a drop placed on top of paint mixes or flattens out on the surface. If not, try different thinner in fresh batch of paint.

TEST THE PATTERN

Good, Full Pattern



Spotty Pattern—
Increase Pressure



SPRAY TIP SELECTION

Spray tip selection is based on paint viscosity, paint type, and job needs. For light viscosities (thin paints), use a smaller tip; for heavier viscosities (thicker paints), use a larger tip size.

Spray tip size is based on how many gallons

of paint per minute can be sprayed through the tip.

Do not use a tip larger than the maximum pump flow rate or capacity the sprayer can accommodate. Pump flow rate is measured in gallons per minute (GPM).

TIP NUMBER	ORIFICE SIZE	FAN WIDTH	LATEX			OIL BASE		FINE LACQUER & STAINS	STAINS LARGE AREAS	
			FLAT AREAS	LARGE FLAT	TRIMS	SMALL AREAS	LARGE AREAS			
311	.011	6-8"						X		PAINT MUST BE STRAINED USE FINE GUN FILTER 120-004F 120-090FX
411	.011	8-10"						X		
511	.011	10-12"						X		
413	.013	8-10"				X			X	FOR BETTER RESULTS, STRAIN PAINT USE COARSE GUN FILTER 120-004C 120-090CX
513	.013	10-12"				X			X	
613	.013	12-14"				X			X	
415	.015	8-10"					X			FOR BETTER RESULTS, STRAIN PAINT USE COARSE GUN FILTER 120-004C 120-090CX
515	.015	10-12"	X				X			
615	.015	12-14"	X				X			
317	.017	6-8"			X					FOR BETTER RESULTS, STRAIN PAINT USE COARSE GUN FILTER 120-004C 120-090CX
417	.017	8-10"	X							
517	.017	10-12"	X	X						
617	.017	12-14"	X	X						
318	.018	6-8"	X		X					FOR BETTER RESULTS, STRAIN PAINT USE COARSE GUN FILTER 120-004C 120-090CX
418	.018	8-10"	X	X						
518	.018	10-12"	X	X						
618	.018	12-14"		X						
521	.021	10-12"		X						FOR BETTER RESULTS, STRAIN PAINT USE COARSE GUN FILTER 120-004C 120-090CX
621	.021	12-14"		X						
721	.021	14-16"		X						

Note: For materials requiring larger than a .021 tip refer to ICI label specifications.

PATTERN WIDTH

Thickness of the paint coat per stroke is determined by spray tip "fan width," rate of the spray gun movement, and distance to surface.

SPRAY TIP SELECTION

Two tips having the same tip size, but different pattern widths will deliver the same amount of paint over a different area (wider or narrower strip)

A spray tip with a narrow pattern width makes it easy to spray in tight places.

Use only good quality, high-pressure tungsten carbide spray tips.

LARGER SIZES AVAILABLE

SPRAY TIP REPLACEMENT

During use, especially with latex paint, high pressure will cause the orifice to grow larger. This destroys the pattern.

Replace tips before they become excessively worn. Worn tips waste paint, cause overspray, make cutting-in difficult, and decrease sprayer performance. The average life of a spray tip is 100 gallons of paint before tip replacement is required.

Use the chart above for selecting proper spray tips to meet your job needs.

REGULAR MAINTENANCE

1. Always stop the pump at the bottom of its' stroke when you take a break at the end of the day. This helps keep material from drying on the rod and damaging the packings.
2. Keep the displacement pump packing nut/wet cup 1/3 full of TSO at all times. The TSO helps protect the packings and rod.
3. Inspect the packing nut daily. It should be tight enough to stop leakage, but no tighter. Overtightening will damage the packings.

TROUBLESHOOTING

<u>PROBLEM</u>	<u>CAUSE</u>	<u>SOLUTION</u>
There is spitting from the gun.	The fluid supply is low or empty.	Refill the supply container.
	Air entrapped in the fluid pump of hose.	Check for loose connections on the siphon assembly, tighten, then re-prime pump.
Paint leaks into the wet cup.	The wet cup is loose.	Tighten just enough to stop leakage.
	The throat packings are worn or damaged.	Replace the packings. See page 16.
	Piston Rod Worn.	Replace piston rod.
The motor operates, but the paint pump doesn't	The pressure setting is too low.	Increase the pressure . See page 4.
	The displacement is seized by dried paint.	Service the pump. See pages 15, 16, 17
The motor and displacement pump operates, but paint pressure is too low, or none.	The pressure setting is too low.	Increase the pressure. See page 4.
	The tip or gun filter is clogged.	Remove the tip and/or filter and clean them.
	Tip is worn.	Replace Tip.
	The fluid displacement pump filter (if used) is clogged.	Clean the filter.
	There is a large pressure drop in the fluid hose.	Use a larger diameter hose.
	The lower check valve ball check is not seating properly.	Service the lower check valve ball check. See page 15.
The displacement pump operates, but the output is too low on the downstroke or both strokes.	The lower check valve ball check is not seating properly.	Service the lower check valve ball check. See page 15.
	The upper check valve ball is not seating properly.	Service the upper check ball valve per page 15.
The displacement pump operates, but the output is too low on the upstroke.	The lower packings are worn or damaged.	Replace the packings. See page 16.
	Tip too large.	Use smaller tip.
The displacement pump operates but the pressure is too low.	Long Extension cord causes power drop.	Use less extension cord.
	Motor stops.	Reset overload switch.

TROUBLESHOOTING - Machine does not Start

CAUSE

SOLUTION

Unit Control
Settings Incorrect

STEP 1: Ensure ON/OFF switch is "ON" and the Pressure Control Knob is in maximum CW position.

Check Reset Button

STEP 2: If reset button has popped out, wait approximately 30 minutes for machine to cool down. To reset button, push in. Button will remain inside the housing.

No Power Source

STEP 3: Check power source (Fuse, Circuit Breaker & Power Cord).

Fuse, LCD Display
Unit

STEP 4: Remove electrical control box cover. Check green light on electrical board. A green light assures there is electrical power to the board and the fuse is good. If green light is out, check the fuse. If fuse is good, unplug the LCD Display from the electrical board. If green light comes on, replace the LCD Display unit as per "LCD Display Replacement Procedure" page 20.

Circuit Breaker,
ON/Off Switch

STEP 5: If green light is off, check for 115 VAC across terminals L1 and L2. If 115 VAC is not present, check for voltage loss at the circuit breaker or ON/OFF switch. Replace component(s) if faulty.

Electrical Board

STEP 6: If green light remains off and 115 VAC is present at L1 and L2, replace Electrical Board as per "Replacement of Electrical Board", page 21.

Sensor

STEP 7: If green light is ON but unit will not turn on, perform "ZERO CALIBRATION" per Electrical Board Calibration Procedures, pg 19. If yellow light remains continuously ON or OFF during this calibration procedure, replace sensor as per "Replacement of Sensor", page 21.

Potentiometer

STEP 8: With power cord unplugged, disconnect potentiometer Ass'y. (Item 11 Fig 13) from electrical board. Using an ohmmeter measure resistance between "BLK" and "RED" terminals on Potentiometer Lead. Resistance must be within 8 - 12 K-ohms. Measure resistance between "GRN" and either "RED" or "BLK" lead while turning pressure control knob from its MIN setting to its MAX setting or vice versa. Resistance should change from zero to the resistance measured between the "BLK" and "RED" leads. If above readings are not obtained, replace POT assembly.

Electrical Board

STEP 9: If the unit does not start after the above procedures are completed, the Electrical Board is defective. Replace as per "Replacement of Electrical Board" procedure, page 21.

SERVICING FLUID PUMP

Note: Check everything in the Troubleshooting Chart before disassembling the sprayer.

FLUID PUMP DISCONNECT

1. Flush out the material you are spraying, if possible.
2. Follow the Pressure Relief Procedure on Page 6. Stop the pump in the middle of down stroke.
3. Remove the suction tube and fluid hose (if so equipped) from the fluid pump.
4. Remove 2 retaining rings and slip the sleeve of the coupling down and remove both coupling halves. This will disconnect fluid pump from the connecting rod.
5. Unscrew the two tie rod locknuts.
6. Pull the pump off the tie rods.

FLUID PUMP REINSTALL

1. Loosen the packing nut and extend piston rod to fully up position. Slip sleeve (189-047) over the piston rod.
2. Make sure that spacer tubes (301-048) are in place.
3. Connect connecting rod with fluid pump by installing coupling halves (189-046). Slide sleeve over coupling halves. Secure with retaining ring (189-048).
4. Secure the fluid pump housing to the tie rods (100-328) and screw locknuts with washers on loosely.
5. Tighten the tie rod locknuts evenly to 30 ft. lb.

NOTE: After all the rod locknuts are tight, the alignment of both rods should allow easy assembly and disassembly of the coupling. If any binding, loosen and retighten all the rod locknuts to improve the alignment. Misalignment causes premature wear of seal and packings.

6. Tighten the packing nut, just tight enough to stop leakage, but no tighter. Fill the wet cup of the packing nut 1/3 full with TSO.
7. Start the pump and operate it slowly (at low engine speed) to check the piston rod for binding. Adjust tie rod lock nuts if necessary to eliminate binding.

SERVICING UPPER & LOWER CHECK VALVES

LOWER CHECK VALVE (SEE FIG. 6 & 8)

1. Screw the lower check valve nut (187-018) out of the pump housing (187-313) containing intake seat support (187-017).
2. Remove the intake seat (187-065), O-ring (187-034), intake ball (187-020) and retainer (187-016).
3. Clean all parts and inspect them for wear or damage, replacing parts as needed. Old "O" rings should be replaced with new ones.

Note: "O"ring PN 187-028 is available in the following materials:
 Viton for waterbase paint - letter "V" after part no.
 Teflon for other fluids - letter "T" after part no.

4. Clean inside of pump housing (187-313).
5. Reassemble the valve and screw it onto the pump housing if no further pump service is needed.

PISTON-ROD, UPPER CHECK VALVE (SEE FIG. 6 & 8)

1. Stop piston rod in middle of it's stroke. Remove retaining rings (189-048).
2. Slip the sleeve (189-047) off the coupling halves (189-046) and remove both coupling halves. This will disconnect piston rod from pump drive.
3. Screw the lower check valve nut (187-018) off the pump and remove lower check valve.
4. Loosen the packing nut and push the piston rod down and out of the housing.
5. Place rod holder Part No. 187-248 in a vise. Slide the rod into the holder and lock in place with a 1/4" pin. Push the pin through the holder and the rod. Screw the seat support (187-021) out of rod, remove "O"ring (187-033T), seat (187-044) and ball (115-022) out of the piston rod (187-311).

NOTE: Retainer (187-032) with "O"ring (187-033V) and ball stop (187-022) may remain in the piston rod. Clean and check visually the ball stop (187-022) for excessive wear. If ball stop needs to be replaced, install any screw with thread 1/2-13NC into the threaded hole of retainer (187-032) and pull straight out.

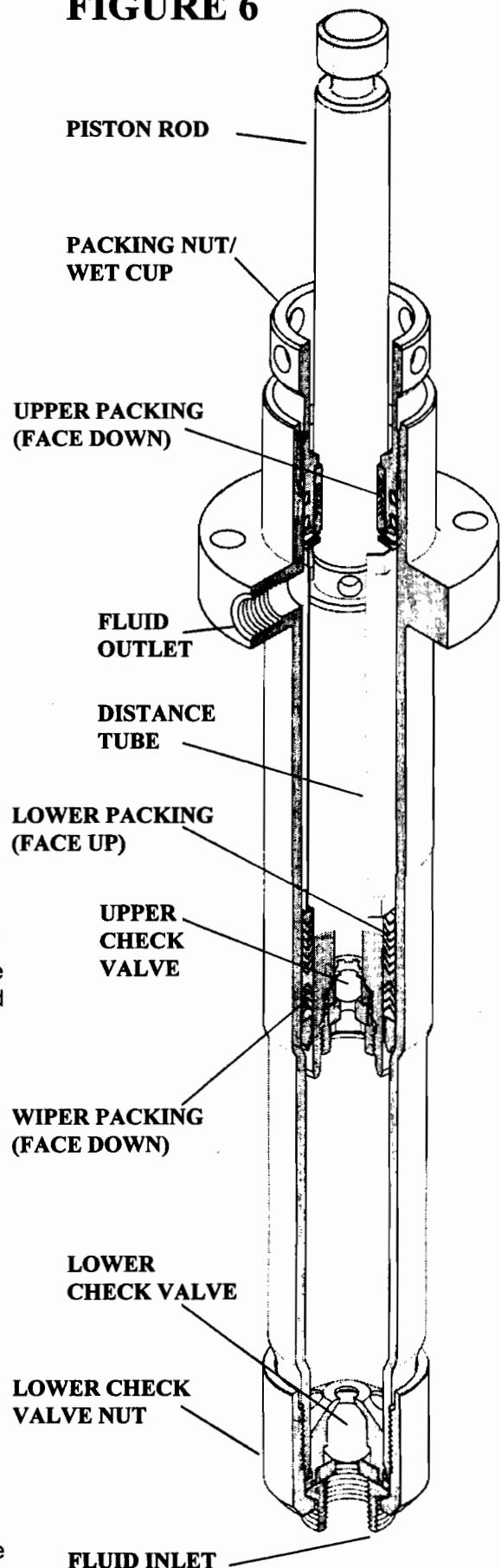
6. Clean all parts and inspect them carefully for wear or damage. Inspect the outside of the piston rod for scoring or wear. Replace these parts if needed. A worn piston rod will cause premature wear of packings.
7. Install parts back into piston rod as per Fig. 8, pg. 17 VIEW A as shown.

Note: Before installing discharge seat support (187-021), place two drops of loctite No. 242 (blue) on threads before assembling.

8. After installation and tightening of discharge seat support, check to ensure ball stop (PN 187-022) is properly installed in piston rod and has not fallen into piston bore. Check by pushing on the ball and feeling a positive stop against the ball stop.

NOTE: Piston rod can be replaced more economically through the Exchange Program.

FIGURE 6



V - PACKING REPLACEMENT

1. Remove the fluid pump as per the "Fluid Pump Disconnect" instructions on page 14.
2. Unscrew and remove the lower check valve per instructions on page 15.
3. Unscrew & remove the packing nut (187-046). Push the piston rod down through the packings and out of the pump. Wrap some masking tape around the bottom of the piston. Now push the piston back through the pump and remove through the top. The packings and glands will be removed with the piston rod, leaving the pump casing (187-313) empty. Utilizing tool (PN 187-249) the complete packing set & piston can be removed quickly and easily.
4. Disassemble and clean all parts for reassembly. Discard old packings, but retain old glands for reuse.

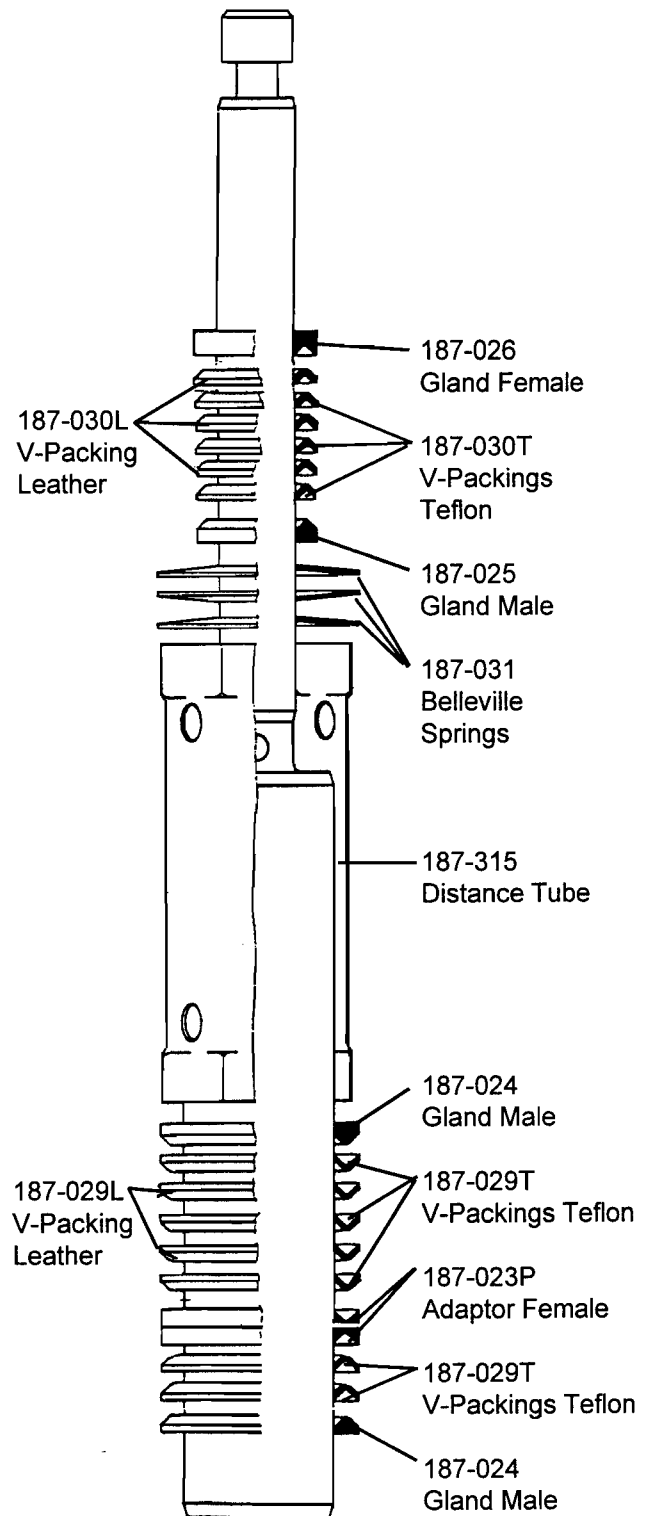
REASSEMBLY

5. Lubricate leather packings in lightweight oil for 10 min. prior to assembly.
6. Remove masking tape from piston. (if used)
7. Reassemble all parts onto piston as per drawing Fig. 7 in the following order:
 - a. Start with lower male gland (187-024)
 - b. Two new V-packings face down (187-029T)
 - c. Female adaptors (187-023P)
 - d. Five V-Packings face up. (alternating Teflon & Leather)
 - e. Upper male gland (184-024)
 - f. Slide on distance tube (187-315).
 - g. Three Belleville Spring (187-031) starting with the first spring facing down and next facing up and the third facing down.
 - h. Slide on upper male gland (187-025) with bevel facing up.
 - i. Six V-Packings faced down (alternating Teflon & Leather)
 - j. Female Gland (187-026)
 - k. Slide on the V-Packing holder (187-047) over upper packings.
8. Lubricate inside of cylinder & outside of packings then slide complete assembly into the pump casing (187-313). Thread packing nut (187-046) into cylinder and tighten (hand tight only).
9. Install the lower check valve and tighten the lower check valve nut (187-018).
10. Connect the pump to the machine as per fluid pump reinstall procedure (page 14).
11. Tighten the packing nut just enough to stop leaks.

V-PACKING KIT - TEFLON AND LEATHER (187-040)

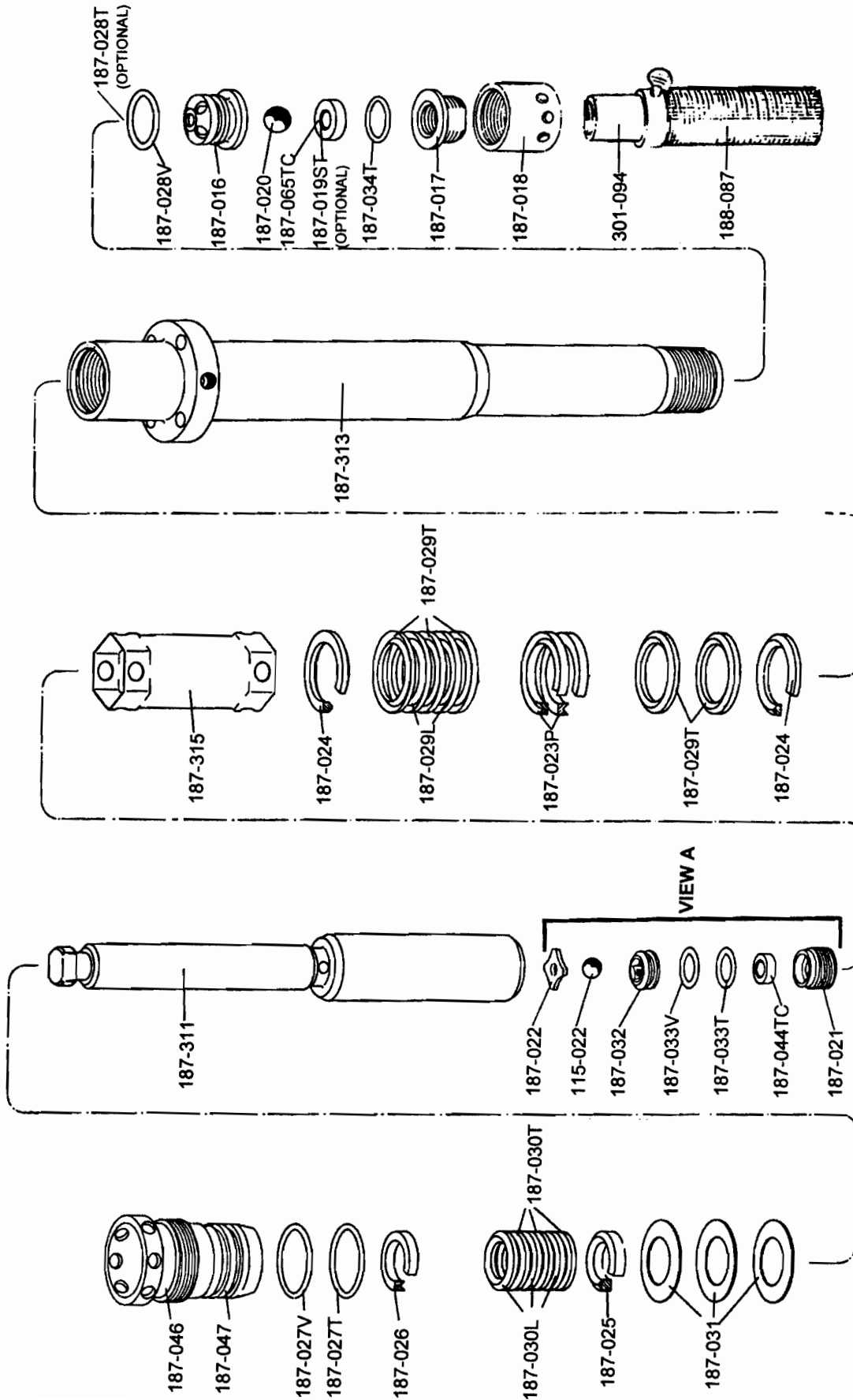
Note: O-ring (187-028) on lower ball cage is supplied in Teflon and Viton. Use Viton when spraying latex or oil based paints and Teflon when spraying paints with high solvents.

FIGURE 7



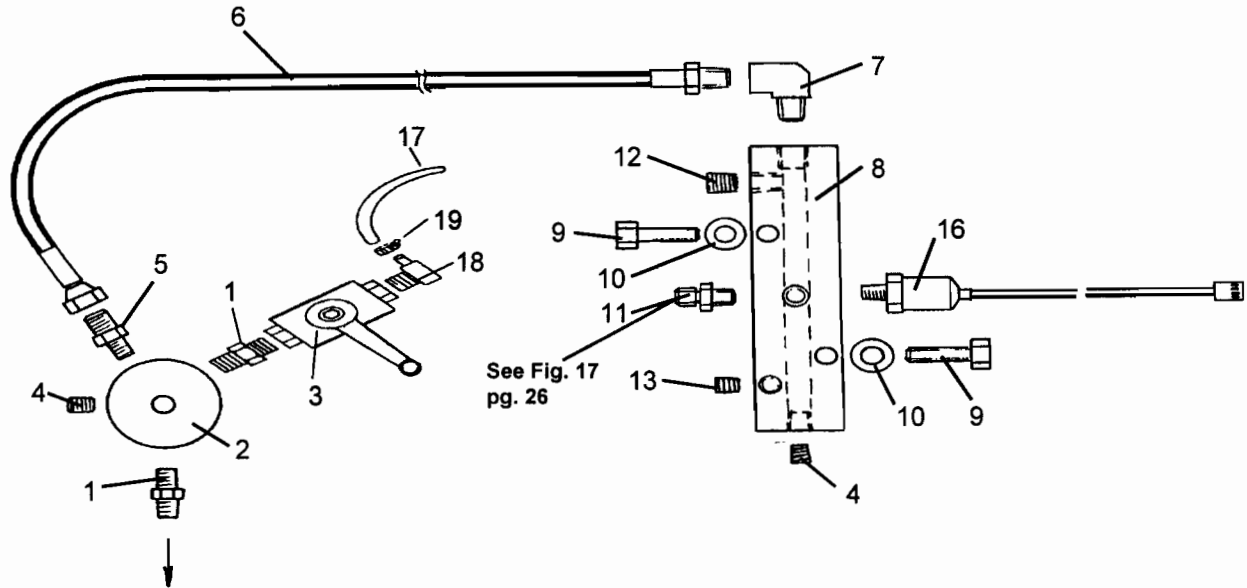
FLUID PUMP - 187-310

FIGURE 8



PRIME VALVE & MANIFOLD ASSEMBLY

FIGURE 9

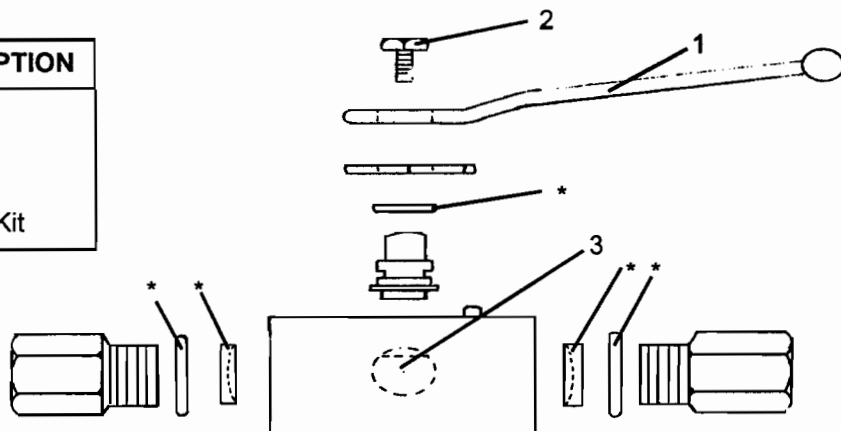


ITEM #	PART NO.	DESCRIPTION	ITEM #	PART NO.	DESCRIPTION
1	100-070	Nipple 1/4 NPT	10	140-029	Washer 5/16 (2)
2	301-260	Manifold	11	115-019	Hose Conn, 1/4 NPSxNPT
3	100-119	Ball Valve	12	100-129	Plug 3/8 NPT
4	100-028	Plug 1/4 NPT	13	100-028	Plug 1/4 NPT
5	100-033	Hose Conn. 3/8NPSx1/4NPT	16	331-073A	Sensor Ass'y
6	301-257	Whip 3/8 x 15.5L	17	111-013R	Bypass Hose Ass'y (10")
7	169-013	Elbow 90, 3/8 NPT	18	115-107	Elbow 1/4 NPTM, 1 barb
8	301-253	Manifold	19	141-015	Hose Clamp
9	100-345	Screw 5/16-18x1 (2)			

BALL VALVE - Part No. 100-119

FIGURE 10

ITEM #	PART #	DESCRIPTION
1	100-162	Handle
2	100-163	Screw
3	100-164	Ball
*	Kit-119	Repair Kit



ELECTRICAL BOARD CALIBRATION

Note: Anytime a sensor, electrical board or both are replaced, the following three calibrations must be performed.

1. ZERO CALIBRATION

1. Place prime/pressure relief valve in the prime (open) position.
2. Set the pressure control knob to the minimum setting (CCW).
3. Remove the electrical cover plate.
4. Ensure the jumper is on the "P-ZR" terminal. Note: This jumper comes with a new electrical board and is installed on the "P-ZR" terminal. If you are "Zero Calibrating" an Electrical Board presently in the unit, remove Jumper from Terminal P-SW and place on P-ZR. When Zero Calibration is complete replace jumper on P-SW.
5. Turn machine "ON" and ensure it is not cycling.
6. Turn LCD Trimpot CCW until it clicks, then turn it CW 8 turns.
7. If the yellow light on the electrical board is on, use an insulated screwdriver to turn the "ZERO" trimpot counter-clockwise until the light goes out. Then turn it clockwise until the light just comes back on and turn it 1/8 turn more (CW). At this point the "Zero Calibration" is complete.
8. If the yellow light is OFF, turn the "Zero" trimpot clockwise, just until the light comes on and turn it 1/8 turn more (CW) and stop. At this point, the "zero" calibration is complete.
NOTE: If the yellow light remains constantly "ON", or "OFF" during this calibration, the sensor is defective and should be replaced.
9. When calibration is complete, move jumper from "PZ-R" terminal to "P-SW" terminal. Place the jumper over the two terminal connectors on the right.

2. PRESSURE CALIBRATION

1. Attach a 50', 1/4" airless hose, airless gun with 0.017 tip and a 5000 psi pressure gauge to the pump.
2. Place the suction tube into a bucket of Coro-chek and water.
3. Turn Prime/pressure relief valve to the prime (open) position.
4. Complete the ZERO calibration, as per "ZERO CALIBRATION".
5. Turn pressure control knob clockwise until machine starts to prime.
6. Place the prime/pressure relief valve in the pressure (closed) position.
7. While watching pressure gauge, slowly adjust the Pressure Trimpot (clockwise to increase and counter clockwise to decrease) until the maximum static pressure is 3000 psi, with the pressure control knob fully clockwise. Trigger the gun several times to ensure pressure returns to 3000 psi .

3. LIQUID CRYSTAL DISPLAY (LCD) CALIBRATION

1. Complete the "ZERO CALIBRATION" and "PRESSURE CALIBRATION" procedures prior to commencing this calibration.
2. Turn pressure control knob up until system pressure is above 2500 psi (as indicated on glycerin filled pressure gauge) and the machine is not cycling.
3. Use an insulated screwdriver to adjust the Set trimpot. Turn Trimpot CCW until it clicks. Then adjust to match pressure against pressure gauge reading.
4. Move the pressure control knob to different settings and trigger the gun several times to ensure that the LCD continues to match the pressure gauge reading.
5. Replace electrical cover plate.

REPLACEMENT OF LCD - PN 301-329

1. Ensure that the power switch is off and that the machine is unplugged.
2. Remove electronic cover (Fig 16 Item 34)
3. Disconnect the LCD lead from the electrical control board.
4. Push the rubber grommet (Fig 13 Item 12) up and out of the hole in the frame.
5. CAREFULLY pull the LCD lead up and out of the frame.
6. Unscrew the six retaining screws (Fig.16 Items 16 & 65) on the motor cover and remove the cover off the motor.
7. Separate the LCD assembly from the motor cover by undoing the two screws (Fig.16 Item 67).
8. Disassemble items #2,3,4,5,6,7 and 8 (Fig 11)
9. Remove and replace LCD Display (Fig 11 Item #3)
10. Re-install in reverse order.
11. Perform "LCD" Calibration" Procedure per "Electrical Board Calibration" procedure, page 19.

FIGURE 11

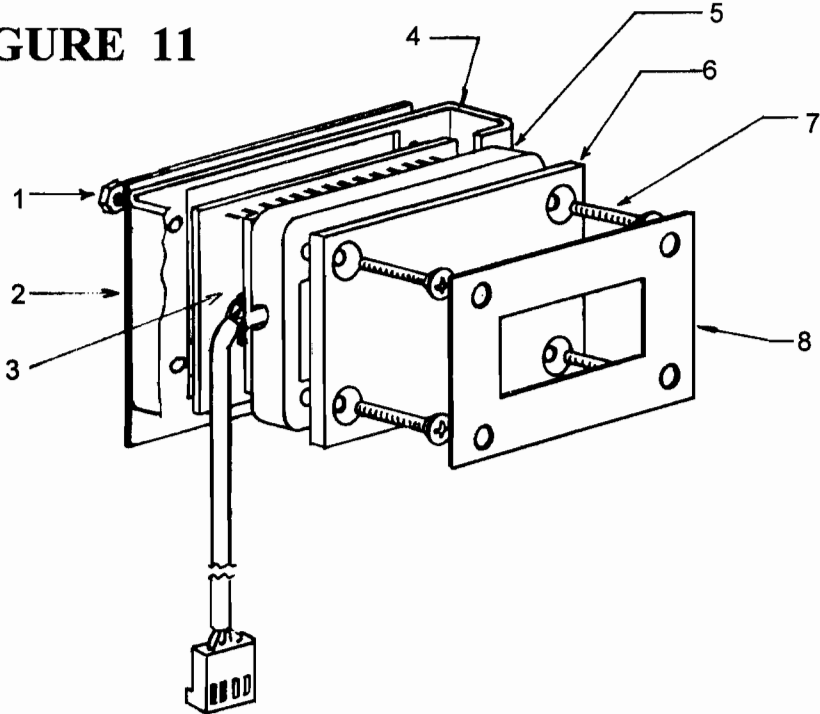


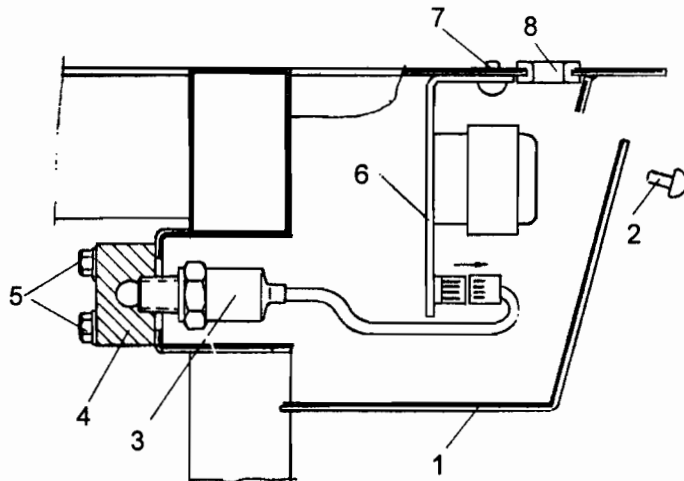
FIGURE 11 PARTS LIST		
ITEM NO.	PART NO.	DESCRIPTION
1	117-126	Nut (4)
2	301-345	Plate
3	331-375	Display Board Ass'y
4	301-332	Bracket
5	301-088	Seal
6	301-328	Window
7	100-362	Screw (4)
8	301-243	Gasket

ELECTRICAL CONTROL BOX

FIGURE 12 PARTS LIST

ITEM NO.	PART NO.	DESCRIPTION
1	301-251A	Cover Ass'y
2	331-138	Screw 10-24x1/4 (8)
3	331-073A	Sensor Ass'y
4	301-253	Manifold
5	100-345	Screw 5/16-18x1 1/4 (2)
6	331-380	Electr. Control Bd.
7	331-138	Screw 10-24x1/4 (2)
8	171-020	Grommet

FIGURE 12



WARNING

ALWAYS UNPLUG THE ELECTRICAL CORD BEFORE SERVICING MACHINE.

REPLACEMENT OF SENSOR

1. Ensure Prime/Pressure Relief Valve is in Prime Position.
2. Unplug Electrical Cord.
3. Remove cover ass'y (Item 1) by removing screws (Item 2).
4. Unplug sensor ass'y (Item 3) from Electrical Board (Item 6).
5. Remove 3/8 hose (Figure 9, Item 6) from manifold.
6. Remove screws (Item 5) from manifold and remove manifold (Item 4).
7. Unthread sensor from manifold.
8. Teflon tape threads on new sensor & reinstall into manifold assembly.
9. Reinstall manifold and sensor ass'y in reverse sequence.
10. Perform "Electrical Board Calibration" Procedure, pg. 19.

REPLACEMENT OF ELECTRICAL BOARD.

1. Unplug electrical cord.
2. Remove cover ass'y (Item 1) by removing screws (Item 2).
3. Carefully remove wires from electrical board (See Figure 13).
4. Remove the two mounting screws (Item 7) and remove electrical board.
5. Reinstall electrical board in reverse sequence.
6. Perform "Electrical Board Calibration" Procedure, page 19.

NOTE: Whenever a sensor or electrical board is replaced, the Zero Calibration, Pressure Calibration and LCD Calibration must be performed as per Electrical Board Calibration Procedure page 19.

ELECTRICAL SYSTEM

FIGURE 13
PN 301-319

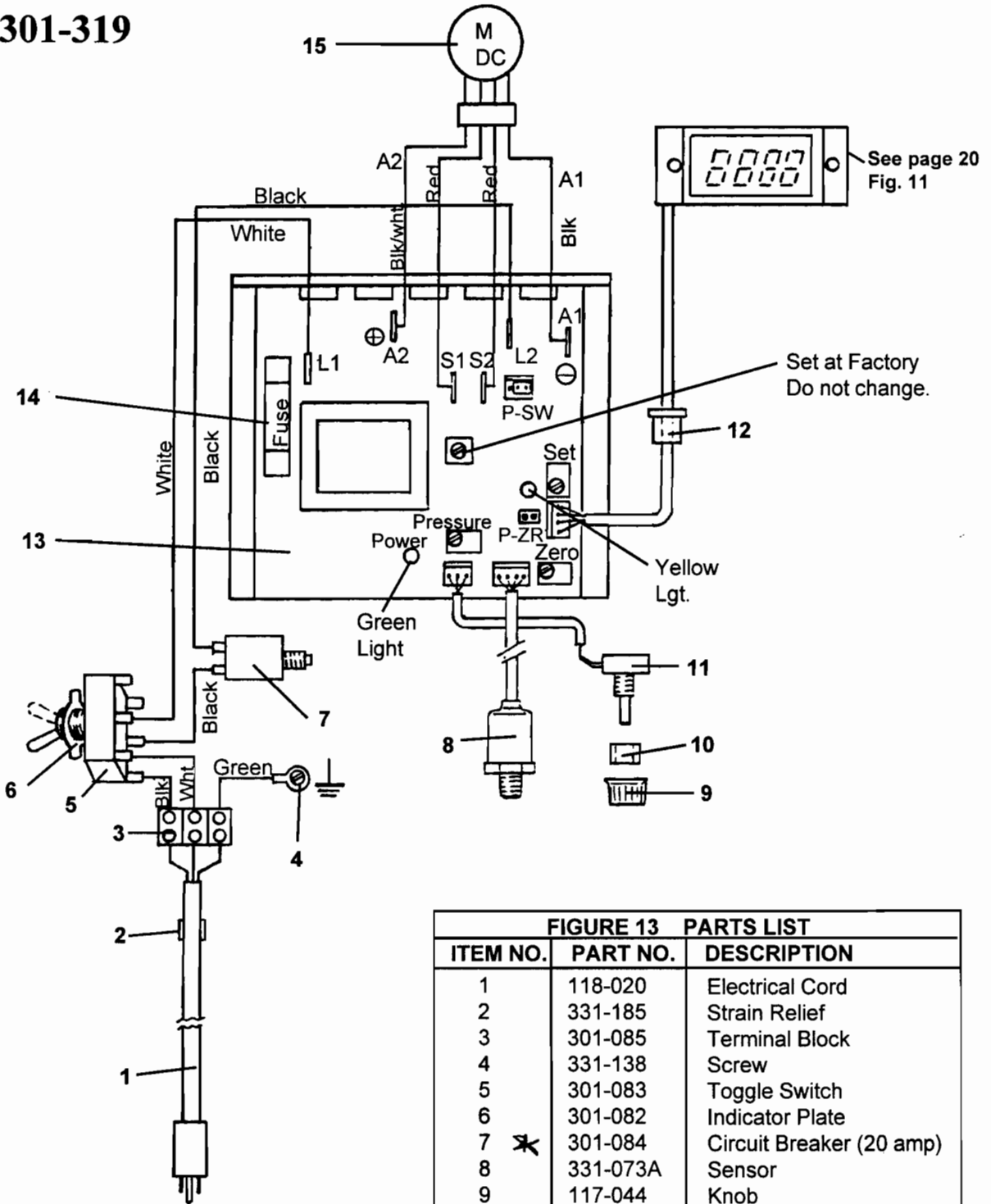


FIGURE 13 PARTS LIST

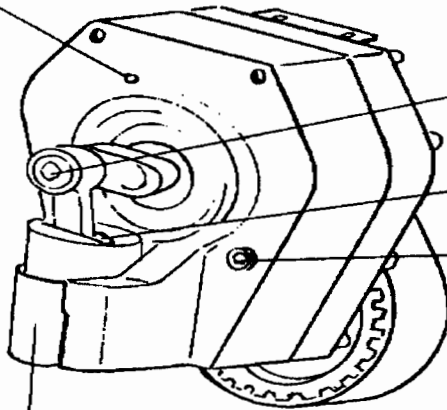
ITEM NO.	PART NO.	DESCRIPTION
1	118-020	Electrical Cord
2	331-185	Strain Relief
3	301-085	Terminal Block
4	331-138	Screw
5	301-083	Toggle Switch
6	301-082	Indicator Plate
7	301-084	Circuit Breaker (20 amp)
8	331-073A	Sensor
9	117-044	Knob
10	331-184	Spacer
11	301-062	Potentiometer
12	301-334	Bushing
13	331-380	Electrical Control Board
14	301-184	Fuse 25A Norm -Blow
15	301-106A	1 1/4 HP DC Motor

* 301-518
35 AMP

OIL & LUBRICATION INSTRUCTIONS

FIGURE 14

Bleed (Weep) Hole



Lubricate with bearing grease every 3 months or whenever maintenance on machine is performed.

1 oz. SAE 30 W oil - semi-annually

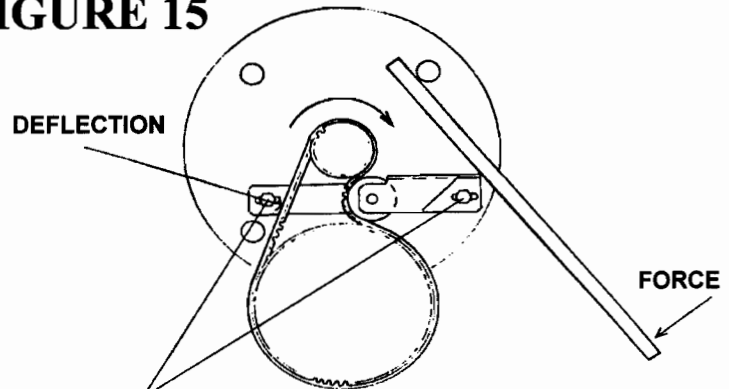
Fill Plug - unit has grease in gearbox from factory and will not require changing.
(Grease - PN 301-178)

Oil Impregnated sleeve
Dip in hot 10 W oil when removed

REPLACEMENT OF BELT/ BELT ADJUSTMENT

FIGURE 15

NOTE: The Cog Belt System does not require alignment. When upper sheave is placed on motor shaft it is pushed on until a positive stop is reached. The set screws (Fig. 16, Items 30) are then loctited. The lower pulley is placed on gearbox and held in place with keyway and snap ring (Fig. 16, Items 18 & 19). The flange on upper sheave holds the belt in alignment and the belt self aligns on lower pulley eliminating having to align.



BOLTS MUST BE LOOSE TO ADJUST BELT

REPLACEMENT OF BELT:

1. Remove Electrical Cover (Item 34, Fig. 16) and Unplug LCD Display from Electrical Board. Remove LCD Electrical Connector from grommet in frame.
2. Remove cover (Item 32, Fig. 16) from unit, being careful not to damage LCD Display which is mounted to inside of cover.
3. Remove Tensioner Assembly (Fig 15). Then loosen screws (Item 27, Fig. 16). Move gearbox forward to allow removal and replacement of belt.
4. Retighten screws into gearbox until they bottom out. (Item 27, Fig. 16) This will align gearbox correctly.
5. Replace tensioner with bolts and leave loose to allow adjusting belt tension.
6. Tighten belt as shown in Figure 15. When properly tightened the deflection play should be 1/4 inch when pushing hard with thumb. (20 lbs)

NOTE: When placing belt on pulleys and inserting the tensioner against belt, ensure cogs on belt are engaged into cogs on pulleys before tightening belts. Rotating upper pulley while holding the tensioner against the belt will allow proper engagement of cogs prior to tightening.

FIGURE 16 PARTS LIST

ITEM NO.	PART NO.	DESCRIPTION	ITEM NO.	PART NO.	DESCRIPTION
1	301-189	Shield- Front	35	331-138	Screw (8)
2	301-092	Shield- Rear	40	101-005	Warning Label
3	301-105	Hook	42	101-060	Label High Voltage
4	100-360	Screw (2)	43	301-046	Rod End
5	100-312	Screw (4)	44	301-237	Pulley, Cog
6	301-320	Cover	45	301-231	Cog Belt
7	301-040	Connecting Rod Ass'y	46	301-073	Air Wheel (2)
8	189-048	Retaining Ring (2)	47	143-029	Set Collar (2)
9	189-046	Coupling Set	48	167-014	Spacer (2)
10	301-047	Sleeve Bearing	49	301-149	Spacer
11	189-047	Coupling Cover	50	301-123	Axle
12	301-193	Tensioner Ass'y	51	301-134	Stopper (2)
13	111-044	Hex Hd. Screw (2)	52	301-090	Suction Ass'y 16" (5 gal)
14	140-029	Washer (2)	53	301-126	Suction Ass'y 36" (55 gal)
15	113-023	Washer, Splitlock (2)	57	113-022	Fin. Hex Nut (4)
16	111-037	Screw (4)	58	113-023	Washer, Split Lock (4)
17	301-135	Grommet (6)	59	140-029	Washer (4)
18	100-332	Retaining Ring	60	100-028	Plug 1/4 NPT
19	301-139	Woodruff Key	61	301-190	Fan
21	301-048	Spacer - Tube (2)	62	130-191	Retaining Clip, Fan
22	100-328	Stud (2)	63	301-060	Gearbox 1"
23	140-035	Washer, Lock (2)	64	101-114	3 labels, Pressure,
24	140-051	Nut (2)	65	301-337	Screw (2)
25	301-173	Bracket - Return Tube	66	301-316	Rubber Edge (1.17') (makes two)
26	136-033A	Screw (3)	67	331-138	Screw (2)
27	301-099	Screw (3)			
28	140-051	Nut (3)			
29	301-233	Sheave			
30	115-041	Set Screw (4)			
31	112-029	Key			
32	301-321	Cover			
33	301-240	Frame			
34	301-251A	Cover Ass'y			

301-106A 1/4 HP motor

MAXI FILTER ASSEMBLY - PN 301-360

FIGURE 17

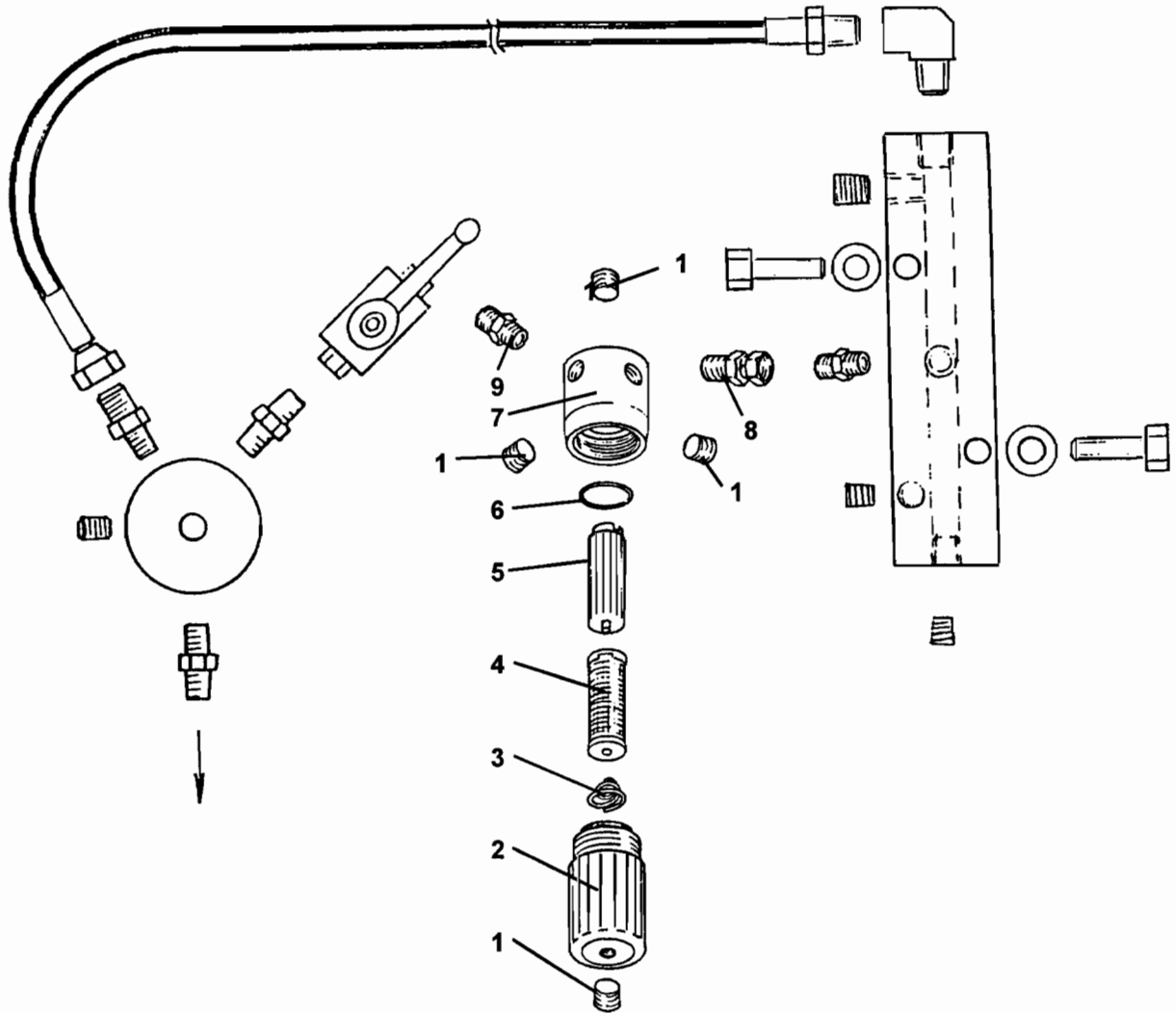


FIGURE 17 PARTS LIST

ITEM	PART NO.	DESCRIPTION
1	301-357	Plug, 1/4" NPT (4)
2	301-361	Bowl
3	301-356	Spring
4	301-363	Screen
5	301-362	Support
6	301-355	O-ring
7	301-352	Head
8	100-159	Swivel 3/8 NPS(M) X 1/4 NPT(F)
9	115-019	Connector 1/4 NPS(M) X 1/4 NPT(M)

ELECTRIC MOTOR MAINTENANCE

1. LUBRICATION - This motor is supplied with pre-lubricated ball bearings, lubricated for the life of the bearing.

2. MOTOR BRUSHES need periodic inspection and replacement as wear indicates. Brush wear is greatly influenced by individual application. It is recommended that brush wear be checked at early intervals of operation in order to determine future required inspection. Standard Leeson brushes have an initial length of 1 and 1/4". When the brushes are worn to a length of 5/8" they should be replaced.

TO CHANGE THE BRUSHES:

1. Unplug the machine.
2. Disconnect LCD
3. Remove the cover over the motor.
4. Open the two covers at the rear of the motor.
5. Loosen the screw under the brush.
6. Pull out the wire.
7. Push the brush retainer clip in and withdraw.
8. Remove the worn brushes.
9. Install new brushes in the reverse order.

For long life, new brushes (Part No. 301-146 for 110V service, Part No. 301-147 for 220 - 240 V service) need to have a run in period. After changing brushes, set the machine for spraying. With a bucket of Coro-Chek and water, a 50' 1/4" airless hose, airless gun and tip on unit, open the prime valve and switch on. The pump will now prime. With pump running in the prime mode, turn the pressure control knob to high pressure. (The pump has to cycle fast with no pressure in the pump). Now run the pump for 20 minutes. **After 20 minutes, the brushes will be run in.**